

IPTV

Complete 100% IP television and multimedia system for hotels, hospitals, nursing homes and other non-residential buildings

ALCAD
facility







Index

| | |
|---------------------|-------|
| 1. Know it in depth | 4-7 |
| 2. Basic / Premium | 8-9 |
| 3. Products | 10-11 |

ALCAD

16:55 19°C

Welcome James we hope that you have a pleasant stay.



TV



TV



My device



Entertainment



Info



Services



Settings



Surveys

Info

TV

Movies



The most profitable IPTV solution on the market, 100% Made in ALCAD

ALCAD puts at the service of hotels, hospitals, nursing homes and other non-residential buildings a complete TV solution over IP networks: we start by capturing the TV signal through terrestrial, satellite or fiber antenna, passing through the headend to finally reach the room or common areas of the facility, such as the entrance or waiting rooms. Thanks to its powerful and agile middleware or software, it is easy to use, intuitive, fast and very reliable. And 100% Made-in-ALCAD.

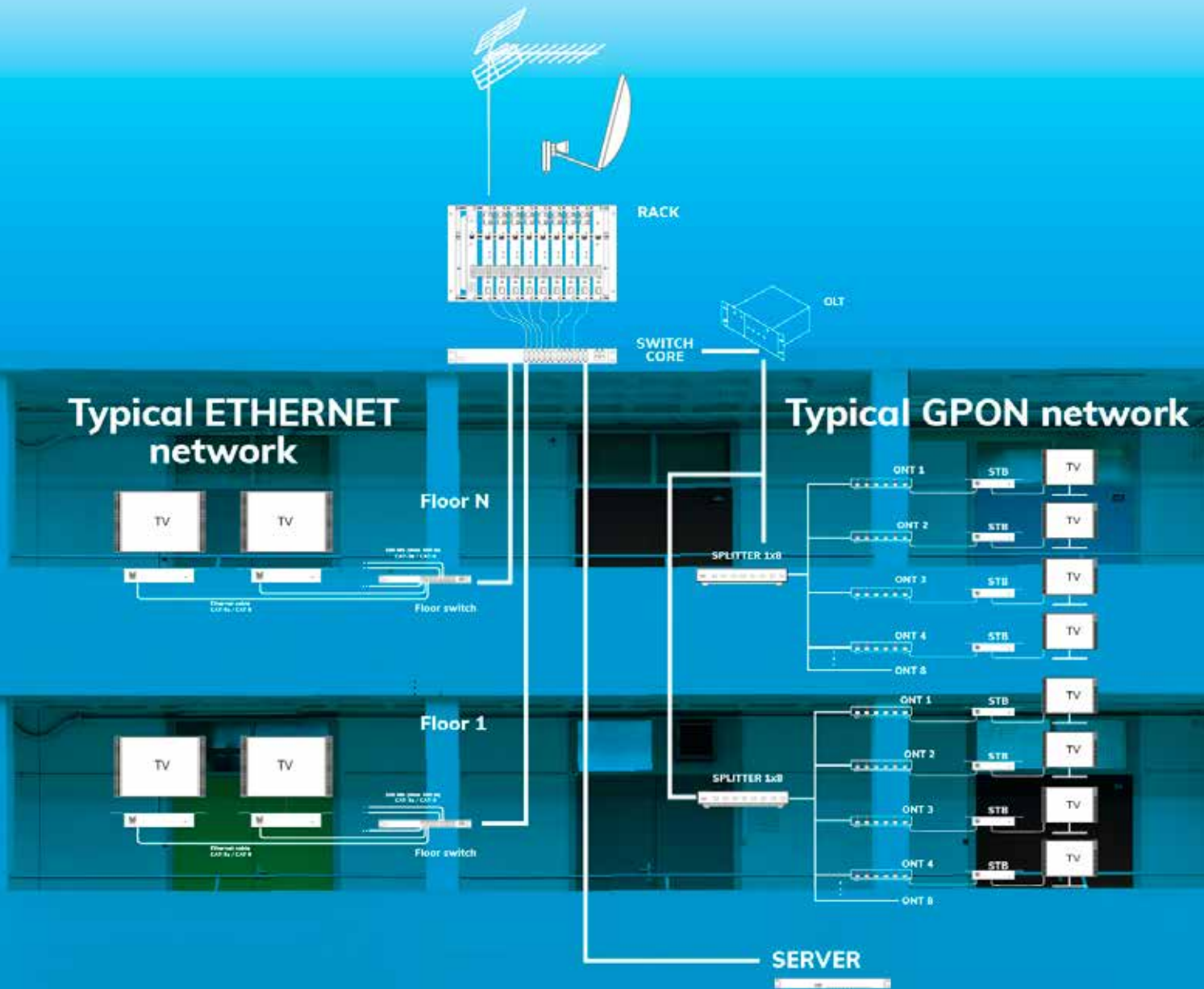
IPTV Healthcare, in its Basic and Premium modes, allows an agile and fast installation of the entire system by assigning IP to each room or common area automatically, without the need to configure it room by room. Also, upgrading from Basic to Premium is done with a simple software update.

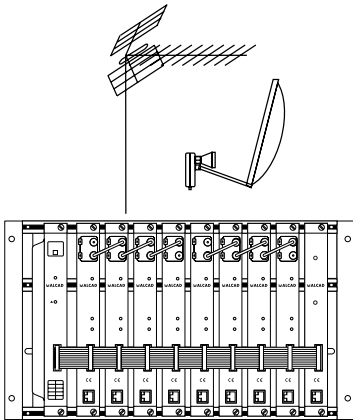
The image displays three blue rectangular boxes, each representing a different IPTV solution. Each box is divided into two sections: the top section contains the product name and its modes, and the bottom section contains a brief description of the solution's target market or purpose.

| Solution Name | Target Market / Purpose |
|--|--------------------------------------|
| IPTV Hospitality Basic Premium | Aimed at hospitality |
| IPTV Healthcare Basic Premium | Aimed at Hospitals and Nursing Homes |
| IPTV Digital Signage | Solution for digital signage |

KNOW IT IN DEPTH

The two versions, IPTV Healthcare and IPTV Hospitality, in their two modes, Basic and Premium, allow an agile and fast installation of the entire system by assigning IP to each room automatically, without having to go room by room to configure the system.

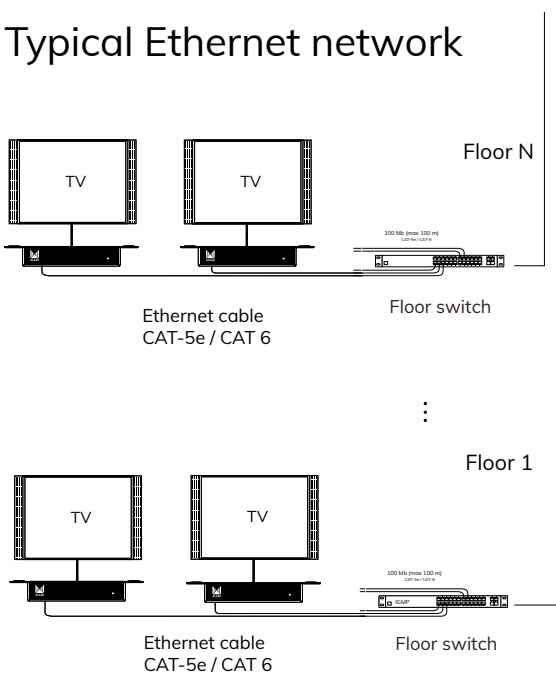




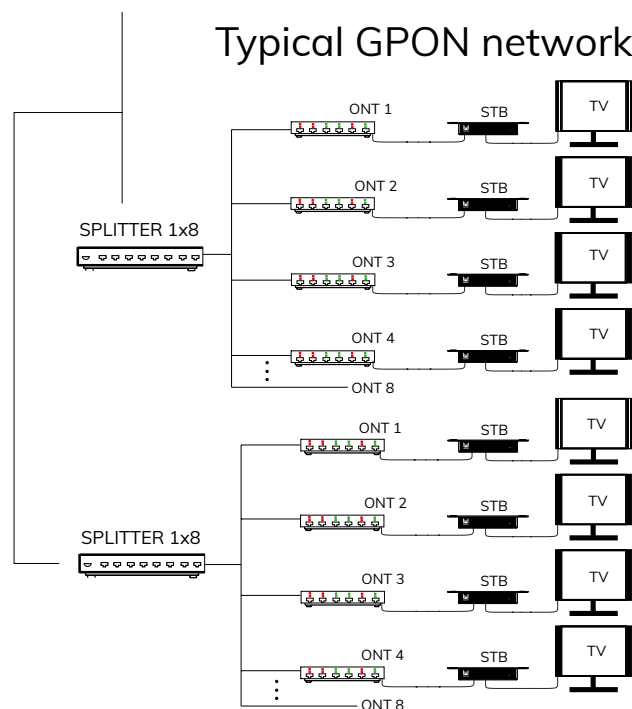
COLLECTION AND PROCESSING OF THE TV SIGNAL

It is a modular headend (915 series) consisting of rack-mounted processing modules (or streamers) that convert the received TV signal to be routed on an IP network, either with a local signal via HDMI or A / V (aimed at broadcasting the establishment's own content from a DVD or other multimedia player), DVB-T (terrestrial) or DVB-S / S2 (satellite). As well as the ST-300 compact headend with 16 inputs for conversion to IP of DVB-C and ISDB-T signals.

Typical Ethernet network



Typical GPON network

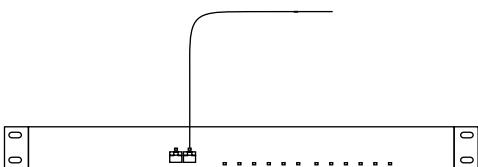


DISTRIBUTION AND MIDDLEWARE

The user interface design is customizable by the establishment to your liking, without the intervention of a technician, in an easy way for the manager staff. And the times you want to do it (very useful to customize content by season or by type of client or user). An elegant, exquisite, fresh and intuitive interface design.

SERVER, security is basic

For this reason, the new ALCAD Multimedia-IPTV solution is based on a very robust system with the possibility of installing the "high availability" feature that allows the system to be kept in use without any interruption, even in the event of a server failure thanks to the new security software implemented that manages the main server and the redundant one. At the same time, it has an automatic and programmable backup generator with the system maintenance technician.



BASIC / PREMIUM



BASIC

BASIC

For facilities with simple and basic entertainment needs.

It offers the visualization of the contracted and installed TV channels, being able to configure both the guest's language and automatically reorganize the TV channels, placing those of the selected guest's language first.

The "Parental Control" option is also included in the BASIC version, being able to block adult content by means of a PIN configurable by the user.

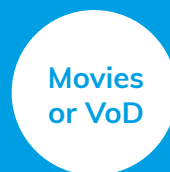
PREMIUM

It is the complete solution par excellence designed for all types of installations, and with ALL INCLUDED.

In this PREMIUM version, the solution becomes a very powerful marketing tool for the establishment, with a very agile and fresh interaction with the guest or user that will make them feel very comfortable during their stay.

Room service, surveys, check-out, movies or VoD (video on demand) and press, among others, are just some of the features that will help the user feel fully attended in a personalized way without leaving their room.

In addition, thanks to its mirroring option, the user can easily share the content of the screen of their mobile phone on the smart TV in the room.



PREMIUM

PREMIUM IN DEPTH

TV channels.

It offers the visualization of the contracted and installed TV channels, being able to configure both the language of the guest or user and automatically reorganize the TV channels, placing those of the selected guest's language first.

Movies or VoD.

The guest or user will be able to see the films that the establishment hires and rent them without the need for further management than confirming it from the remote control.

Mirroring.

The user can easily share the content of the screen of their mobile phone on the smart TV in the room.

Entertainment.

- It allows the establishment to offer music, being able to classify it by theme.
- The user will be able to listen to the available radio channels.
- It allows to read the highlighted news, being able to classify them by subject. It also offers the possibility of synchronizing via the internet with the RSS / feeds configured by the establishment from the Manager.

Information.

This section is perfect for the establishment to be able to show the services it offers, adding its own content: from advertising, excursions, promotional videos... to rehabilitation classes, physical exercises (perfect for hospitals or nursing homes, so that patients or users perform autonomously). Of course, a very useful section!

Services.

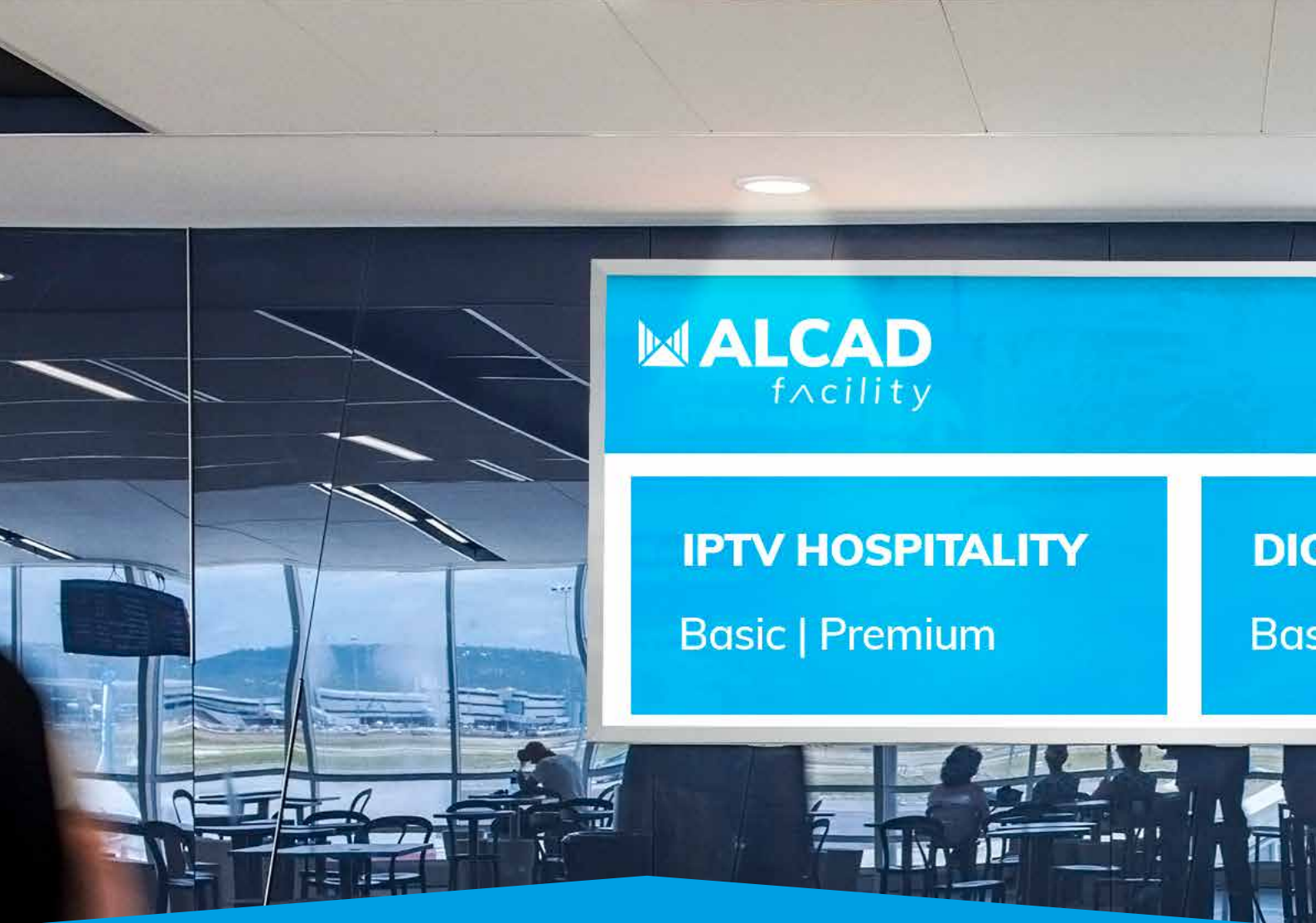
- **Room service (Hospitality version):** the guest can order the food or drink they want and at the time they want, in a comfortable and fast way.
- **Menu (Healthcare version):** the patient or user can select the menu they want, and the centre can customize it for each patient / user based on their recommended diet (celiac, hypertensive, diabetic, etc). If this is accompanied by an integration with the center's HIS, this information will be fully automated.
- **Check the bill:** allows you to check the consumption made by the guest.
- **Check-out:** the guest can check-out from the room in a simple and agile way, avoiding queues or waiting at the counter. For the property, front desk work efficiency will increase directly with guest use of this feature.
- **Alarm clock:** magnificent function to wake up calmly, without alterations caused by the shrill reception telephone or without the need to have the mobile connected.
- **Weather forecast:** when we turn on the television, we will be able to know if we will have to take out the umbrella or take the towel for the beach.
- **Messages:** perfect area to view the messages that the hotel can send in a personalized way to each guest, without disturbing them during their rest.

Setting.

- It allows the option of 'Parental Control', being able to block adult content by means of a PIN.
- Agile and fast installation of the entire system by assigning IP to each room automatically, without having to go room by room to configure the system.

Surveys.

- Guests will be able to rate the service received by answering the questions programmed by the hotel in an easy and simple way from the Manager.
- The system allows a single reply per guest, thus avoiding duplications.
- It has analytics and graphics of the results of the surveys carried out.
- Multiple types of survey can be programmed, depending on the time of year or need detected by the hotel. Everything configurable from the Manager.



DIGITAL SIGNAGE

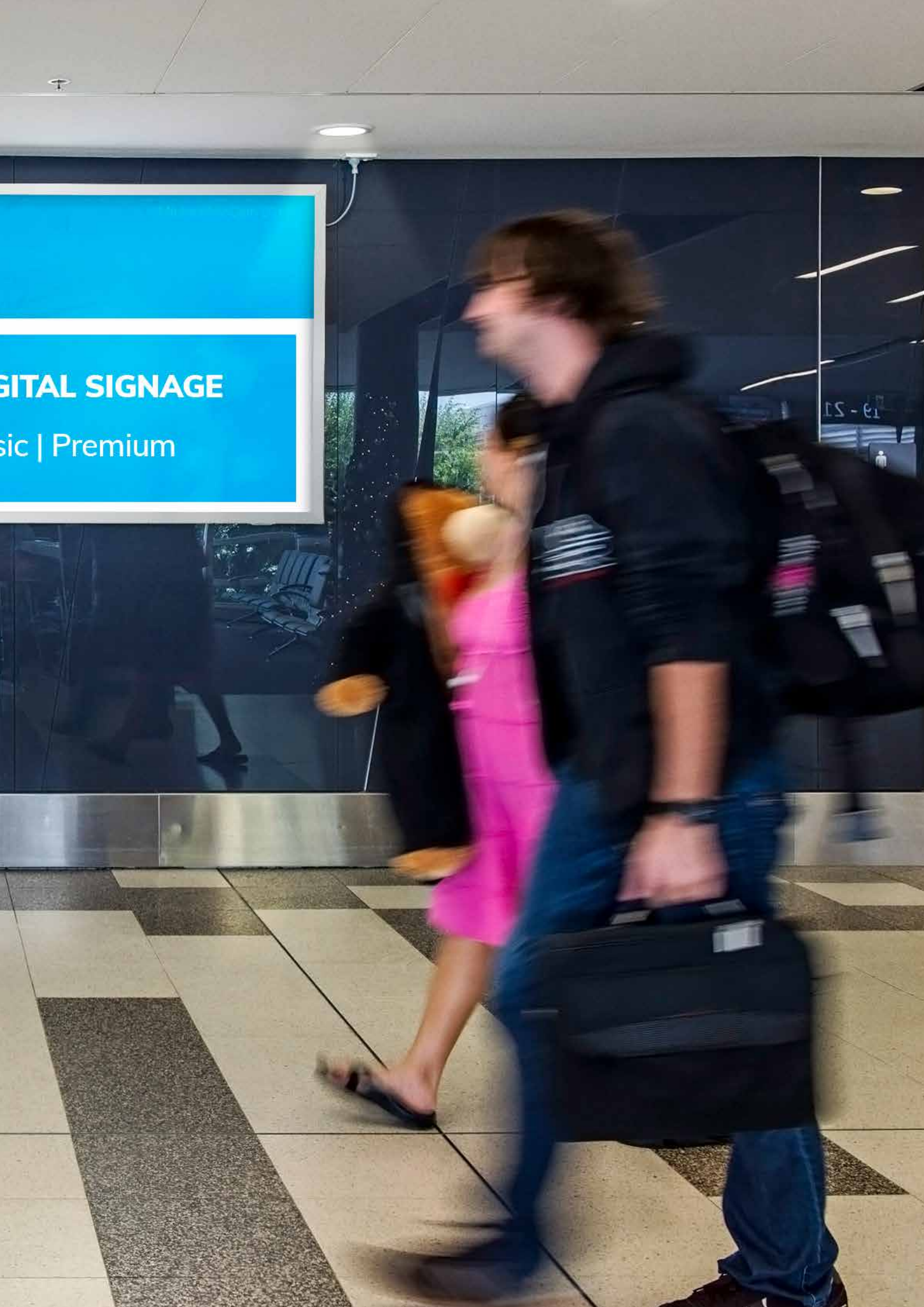
The ALCAD Digital Signage option can be integrated with the Premium and Basic modes of our IPTV Healthcare and Hospitality solutions. It is a centralized web management tool, which provides dynamic, effective and adapted communication, with a very simple use; the management software creates and distributes the content and enables the creation of sequences and schedules.

The advantage of digital signage over printing is clear: it is not only cheaper, but the content is displayed in a more attractive way and offers greater market segmentation, obtaining better results. It is ideal for visiting areas or common rest rooms.

Characteristics:

- Control of information points (STB) with remote control.
- Creation of Dynamic Ads in ticker-tape format.
- Creation of Dynamic Posters: images, texts, video, TV channels, etc.
- Dynamic Ads Planning.
- Dynamic Poster Planning.
- Select TV channels remotely.
- Remote control via web interface.

DIGITAL SIGNAGE
Basic | Premium



PRODUCTS

IPTV HEADEND



| CODE | MODEL | DESCRIPTION |
|--------------|---------|---|
| IPTV HEADEND | | |
| 9120136 | SP-725 | FRAME D38 19" RACK PSU AND 9 MODULES |
| 9120245 | FA-410 | POWER SUPPLY 50 W (230/240 Vac) |
| 9150060 | SS-202 | STREAMER DVB-S-S2 IP DISEQC |
| 9150059 | SS-212 | STREAMER DVB-S/S2 IP CIMax DiSEqC |
| 9150002 | ST-100 | STREAMER DVB-T IP |
| 9150003 | ST-110 | STREAMER DVB-T IP CI |
| 9150045 | SV-200 | STREAMER 2x A/V IP |
| 9150056 | SH-201 | STREAMER 1x HDMI - IP |
| 9150049 | CST-200 | JACK RCA CABLE |
| 9150063 | ST-300 | STREAMER 16 INPUTS ISDB-T/DVB-C (CUSTOMIZABLE) TO 1 IP OUTPUT |

SET-TOP BOXES AND ACCESSORIES



STB-051

| CODE | MODEL | DESCRIPTION |
|---------|---------|---|
| 9450059 | CAS-010 | RCA-RCA CABLE |
| 9450060 | CAS-220 | HDMI-HDMI CABLE |
| 9450309 | REM-255 | REMOTE CONTROL COMPATIBLE WITH STB-051 |
| 9450310 | STB-051 | SET-TOP BOX IPTV HD (includes remote control) |

SOFTWARE AND LICENCES

| CODE | MODEL | DESCRIPTION |
|---------|---------|--|
| 9450301 | SOF-400 | SERV LICENSE - IPTV HOSPITALITY PREMIUM |
| 9450302 | SOF-401 | SERV LICENSE - IPTV HOSPITALITY BASIC |
| 9450303 | SOF-402 | SERV LICENSE - IPTV HEALTHCARE PREMIUM |
| 9450304 | SOF-403 | SERV LICENSE - IPTV HEALTHCARE BASIC |
| 9450305 | SOF-404 | MIDDLEWARE LICENSE - ALCAD DS |
| 9450306 | LIC-400 | LICENSE STB-HOSPITALITY & HEALTHCARE PREMIUM |
| 9450307 | LIC-401 | LICENSE SMART TV - IPTV HOSPITALITY & HEALTHCARE |
| 9450308 | LIC-402 | LICENCE STB-HOSPITALITY & HEALTHCARE BASIC |

SERVICES

| CODE | MODEL | DESCRIPTION |
|---------|---------|----------------------------------|
| 9500101 | IPP-303 | SYSTEM CONFIGURATION |
| 9500102 | IPP-305 | IN FACTORY DEVICE CONFIGURATION |
| 9500104 | IPP-320 | TRAVEL AND SUBSISTENCE SPAIN |
| 9500107 | MNT-303 | SYSTEM 1 YEAR REMOTE MAINTENANCE |
| 9500108 | MNT-305 | DEVICE 1 YEAR REMOTE MAINTENANCE |
| 9500109 | REP-312 | REMOTE ASSISTANCE 1 HOUR |
| 9500110 | REP-322 | REMOTE ASSISTANCE 10 HOURS |

SERVERS



| CODE | MODEL | DESCRIPTION |
|---------|---------|---|
| 9430104 | SRG-210 | MID-RANGE SERVER |
| 9430105 | SRG-310 | HIGH-RANGE SERVER - HIGH AVAILABILITY (300-499 TV POINTS / + VOD 100-299 TV POINTS) |
| 9430106 | SRG-410 | HIGH-RANGE SERVER - HIGH AVAILABILITY (500-1999 TV POINTS / + VOD 300-1999 TV POINTS) |

ACCURO

100% IP
Nurse call system

LIVERO

100% IP security
intercom system

IPTV

100% IP digital signage
and multimedia system

ATTENDO

Emergency call system
for public toilets



 **ALCAD**
#signal_hunters

www.alcadelectronics.com



Tel. (+34) 943 639 660

info@alcad.net

Polígono Arreche-Ugalde, N°1

Apdo. 455

20305 IRUN - Spain

UNITED ARAB EMIRATES: Middle East FZE - P.O. Box 54830 W5A DAFZA DUBAI -

Tel. +971 4.214.6140 - Fax +971 4.214.6147

CZECH REPUBLIC: nám. V. Mrštíka, 40 - **664 81 OSTROVAČICE** - Tel. +420 546.427.059 - Fax +420 546.427.212

TURKEY: İzpark Plaza, Vezirköprü Cd, Ordu Sk. N:23A D:29 - **34880 KARTAL/ISTANBUL**

Tel. +90 216.380.93.17 - Fax +90 216.380.93.63