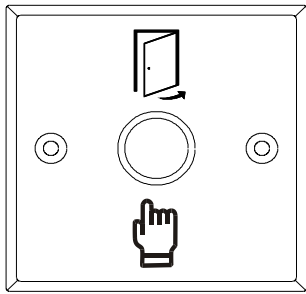


9730103 PPA-002 Multi-function Push Button



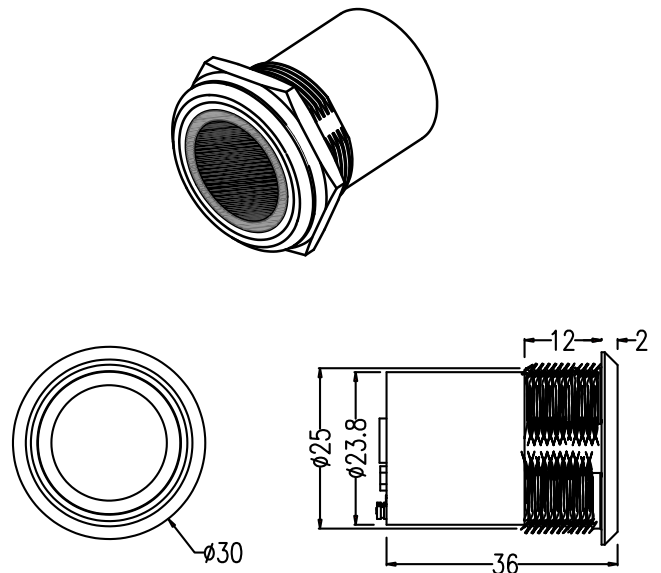
86 × 86 × 4.5mm

- Provide 3-D operation functions : Pressing, LED indicator, and sound warning. Wide range of applications especially for accessible environment.
 - Combining mechanical and electronic controls※. Backup output function support. Mechanical output is available when electronic control is out of order.
 - Internal microcomputer control with adjustable output time. The output is accompanied by a beep sound simultaneously. Intermittent sound to remind before the end of output. (It also could adjust continuous beep sound.)
 - Waterproof stainless steel case. Buzzer volume has 4 segments to adjust.
- ※ When its electronic control is out of order (power cut or malfunction of internal board), it will automatically change to mechanical control without output delay function.

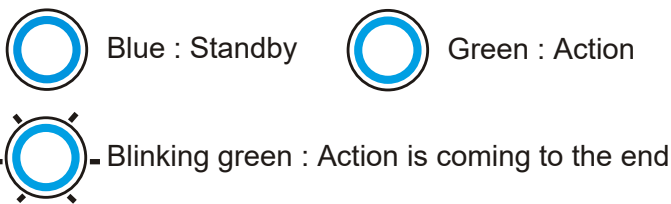
Specification

State Indicator	Red and Green Double-colored LED light
Voltage input	12VDC~24VDC ± 10%
Current Consumption	Action : 50mA / Standby : 17mA ± 10%
Contact Output	N.O. X 2 sets & N.C. X 2 sets
Output Status	Temp. / Normal (turn the knob to the right)
Delay time	0.5 sec~ 60 sec
Case	#304 Stainless Stee & PC Material
Buzzer	Sound off / Minimum / Medium / Maximum
Contact load	≤ 2A@30VAC
Contact life	≥ 50,000 times (2A@30VAC)
Waterproof Protection	The front panel against water splashing
Operation temperature	0~75°C (Humidity 85% R.H. Max)

Dimensions



Function

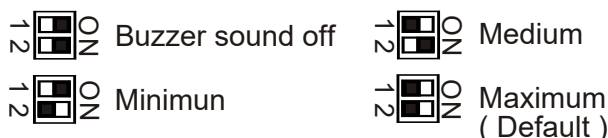


Function selection

JP1 : 4 seconds before the end of the action with LED flashing 6times with buzzer sound.

JP1 : Green light and buzzer sound are on when it is operating.

Sound Adjustment



Connector

