

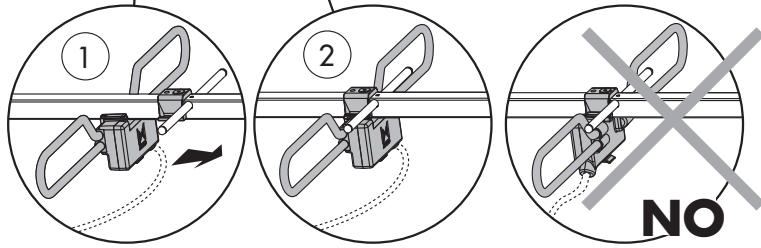
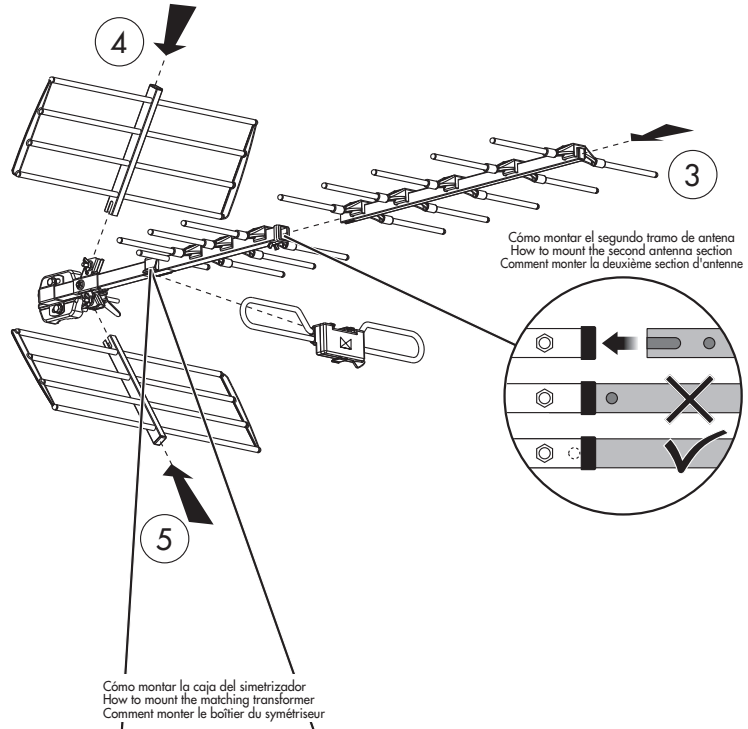


CÓMO MONTAR LA ANTENA BU-266
 HOW TO MOUNT THE ANTENNA BU-266
 COMMENT MONTER L'ANTENNE BU-266

ANTENAS TV BANDA UHF
 TV ANTENNAS UHF BAND
 ANTENNES TV BANDE UHF

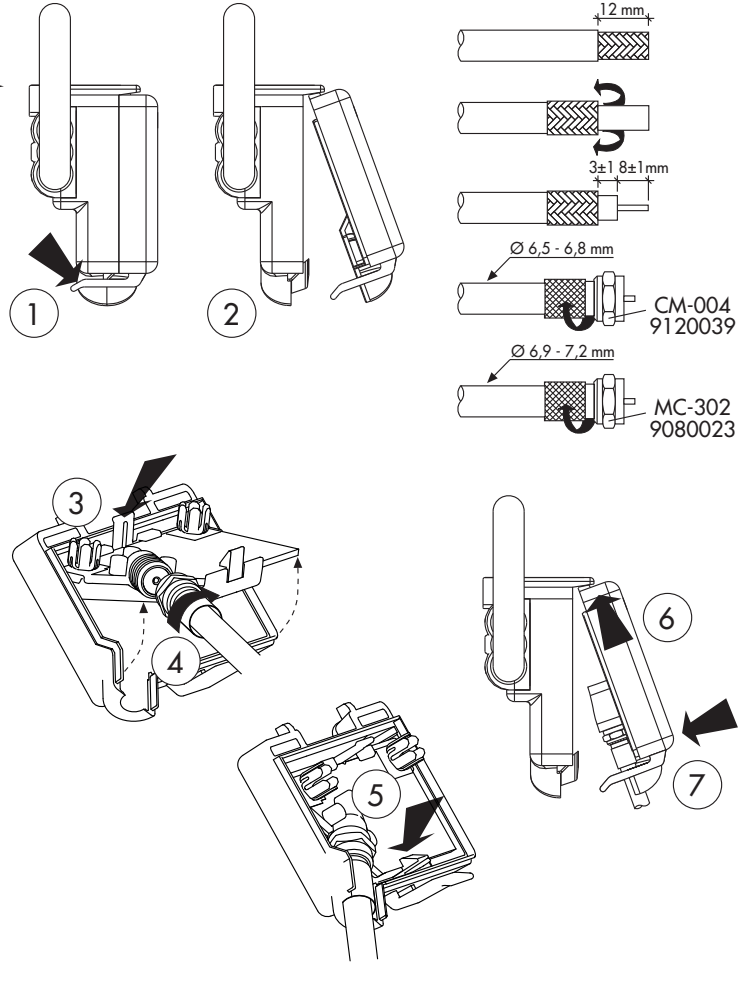
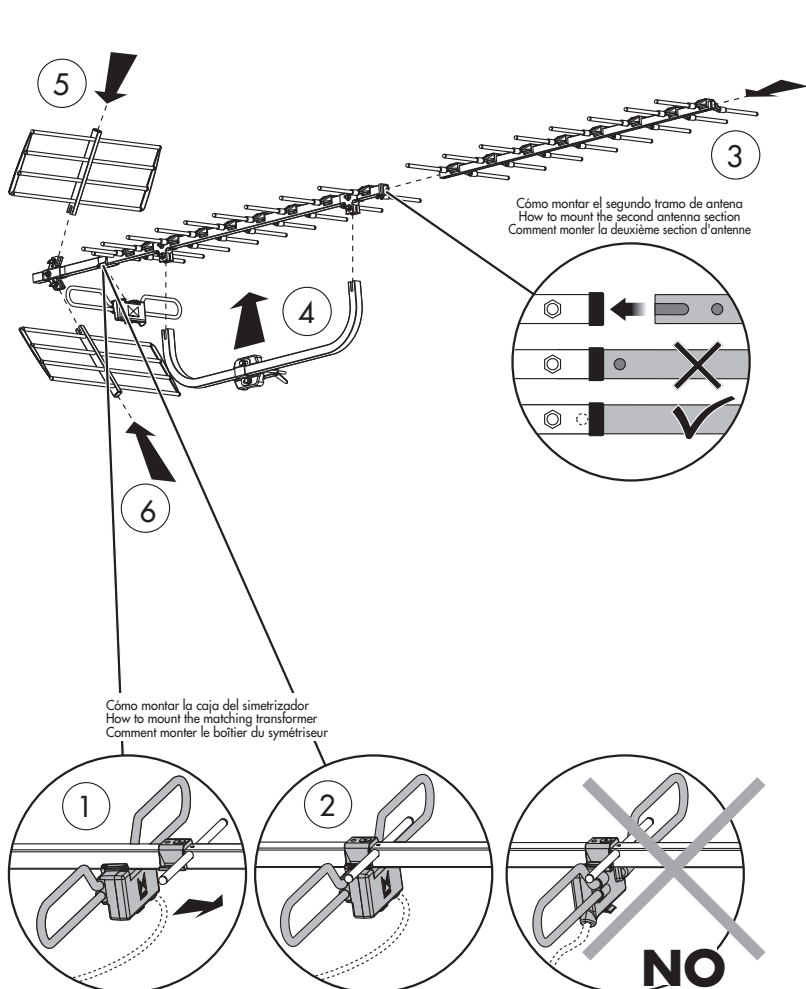


SERIE 900 SERIES

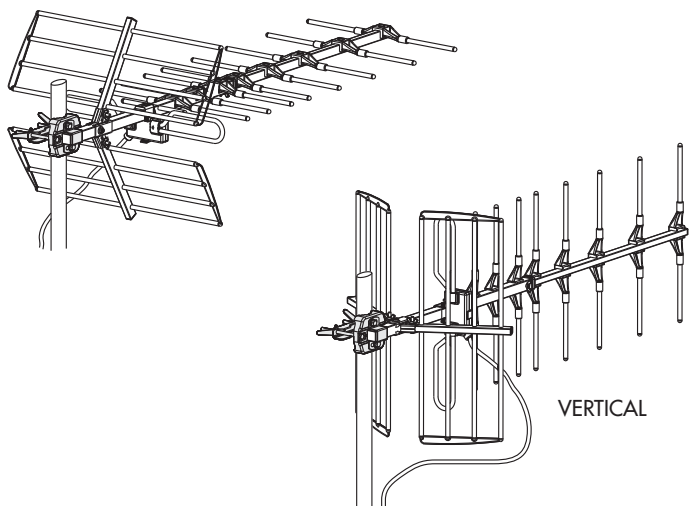


CÓMO MONTAR LA ANTENA BU-566
 HOW TO MOUNT THE ANTENNA BU-566
 COMMENT MONTER L'ANTENNE BU-566

CÓMO CONECTAR EL CABLE COAXIAL EN LA CAJA DEL SIMETRIZADOR
 HOW TO CONNECT THE COAXIAL CABLE TO THE MATCHING TRANSFORMER
 COMMENT RELIER LE CABLE COAXIAL DANS LE BOÎTIER DU SYMÉTRISEUR

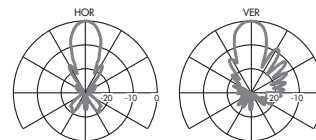
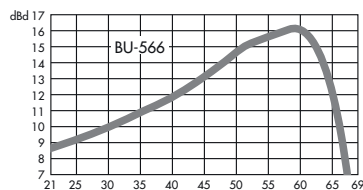
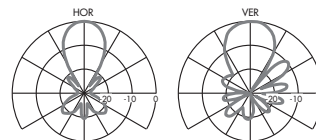
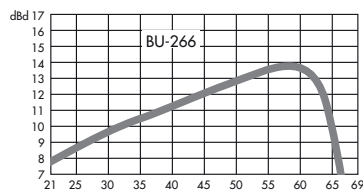
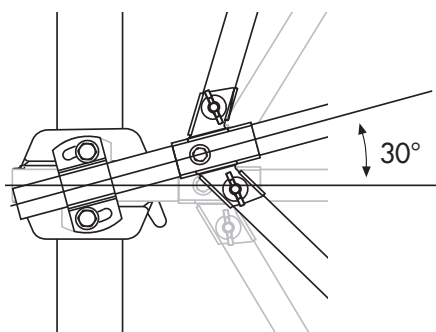


HORIZONTAL



VERTICAL

AJUSTE DEL ÁNGULO DE ELEVACIÓN
ELEVATION ANGLE ADJUSTMENT
RÉGLAGE DE L'ANGLE D'ELEVATION



CÓDIGO-CODE-CODE	9000082	9000089
MODELO-MODEL-MODELE	BU-266	BU-566
Rango de frecuencias Frequency range Gamme de fréquences	470-790	
Canales Channels Canaux	21-60	
Ganancia Gain Gain	13	16
Relación delante/detrás Front/back ratio Rapport avant/arriere	23	25
Impedancia Impedance Impédance	75	
Pérdidas de retorno Return loss Pertes de retour	≥ 10	
Polarización Polarity Polarisation	HOR /VER	
Ángulo de apertura Beam width Angle d'ouverture	° H: 26 ° V: 31	20 21
Longitud Length Longueur	mm: 1087 / 2050	
Resistencia al viento Wind loading Résistance au vent	N: 48 V: 70	83 104
Índice de protección Protection index Indice de protection	IP 53	

Todas las antenas incorporan simetrizador.
All antennas supplied with matching transformer.
Toutes les antennes ont un symétriseur.



DECLARATION OF CONFORMITY

according to EN ISO/IEC 17050-1:2004

Company Name: ALCAD, S.L.
Company Address: Pol. Ind. Arreche-Ugalde, 1
Apdo. 455, 20305 IRÚN (Guipúzcoa), SPAIN

declares that the product
Model Number(s): BU-266, BU-566
Product Description: TV ANTENNAS UHF BAND
Product Option(s): INCLUDING ALL OPTIONS

is in conformity with:
Safety: EN 60728-11:2005

The product herewith complies with the requirements of the Low Voltage Directive 2006/95/EC and the EMC Directive 2004/108/EC.

Supplementary Information: To comply with these directives, do not use the products without covers and operate the system as specified.



Irún (SPAIN), 28 Jun 2013

Xabier Isasa
General Manager



ALCAD, S.L.
Tel. 943 63 96 60
Fax 943 63 92 66
Intj. Tel. +34 - 943 63 96 60
info@alcad.net
Apdo. 455 - Pol. Ind. Arreche-Ugalde, 1
20305 IRUN - Spain
www.alcad.net

FRANCE - Hendaye
Tel. 00 34 - 943 63 96 60
CZECH REPUBLIC - Ostrova tice
Tel. 546 427 059
UNITED ARAB EMIRATES - Dubai
Tel. 971 4 214 61 40
TURKEY - Istanbul
Tel. 212 295 97 00

